

Illustration - Type - E

3 601 HF4 000  
Stand 22-09  
Issue J 23-08-15

Fig./Abb. 1

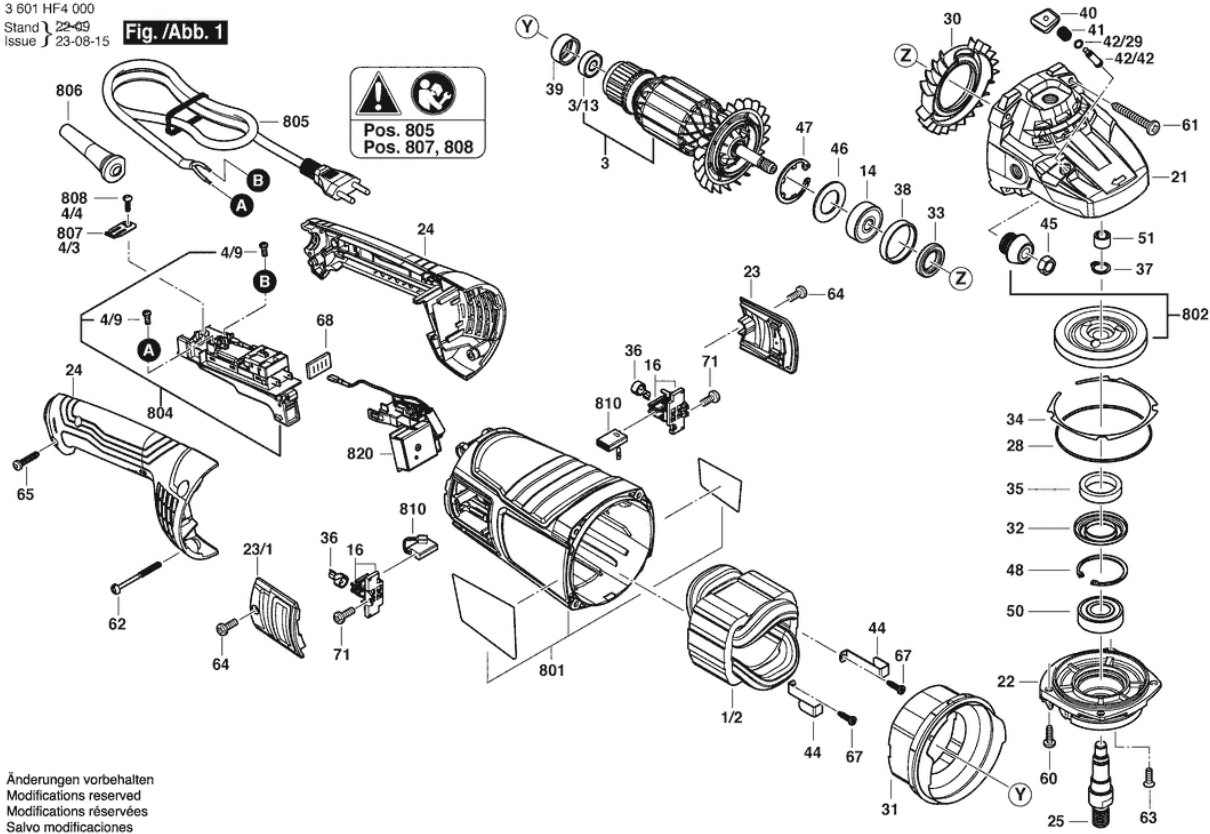
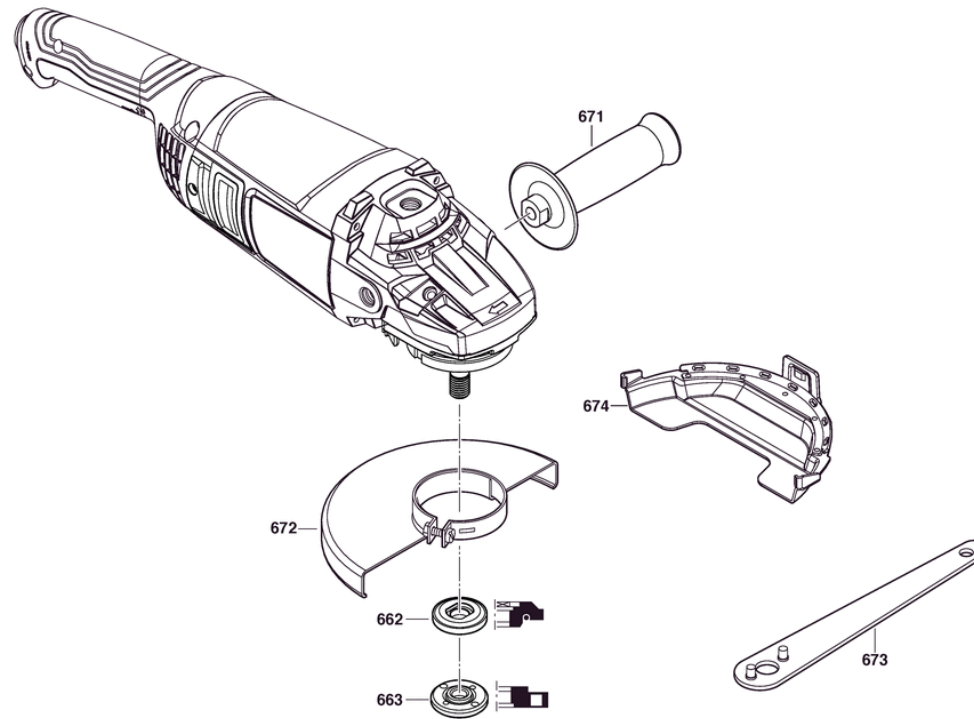


Illustration - Type - E

3 601 HF4 000  
Stand 22-23  
Issue 24-10-10 **Fig./Abb. 2**



Änderungen vorbehalten  
Modifications reserved  
Modifications réservées  
Salvo modificaciones

## Spare parts list

Item	Part Number	Description	Illustration
1/2	1 604 220 5B5	Field	1
3	1 604 010 BD2	Armature	1
3/13	1 600 905 011	groove ball bearing 8X22X7	1
4/9	1 603 410 014	Pan head screw M4X10 MM	1
14	9 618 089 480	groove ball bearing	1
16	1 604 336 047	Brush Holder	1
21	1 605 806 5XA	Gear Housing	1
22	1 605 805 159	Bearing Flange	1
23	1 600 A01 LJ8	Brush-Cover	1
23/1	1 600 A01 LJ9	Brush-Cover	1
24	1 605 132 18U	Handle	1
25	1 603 123 05W	Grinding Spindle	1
28	1 600 210 033	O-Ring 79,0X1,78 MM	1
30	1 600 A01 NE4	Splash Guard	1
31	1 600 591 07E	Air-Deflector Ring	1
32	1 600 290 019	Retaining snap ring	1
33	1 600 290 013	Rotary shaft lip seal 18,7 MM RED	1
34	1 600 190 020	Shim 0,15 MM THICK	1
34	1 600 190 021	Shim 0,3 MM THICK	1
35	1 600 205 034	Felt Washer	1
36	1 604 652 019	Spiral Spring	1
37	2 916 650 905	Spring retaining ring	1
38	1 600 206 020	Rubber Ring 7 MM WIDE	1
39	F 000 616 060	Locating ring	1
40	1 600 A01 L7D	Push-Button	1
41	1 604 611 024	Compression Spring	1
42/29	1 600 210 034	O-Ring 4,0X1,0 MM	1
42/42	1 603 123 032	Detent Pin	1
44	1 600 A01 E7T	Pickup Clip	1
45	1 600 A01 M59	Hex Nut	1
46	1 600 A00 1XA	Retaining Washer	1
47	1 600 150 01B	Spring retaining ring	1
48	1 600 119 010	Spring retaining ring	1
50	1 600 900 079	groove ball bearing 17 X 40 X 12	1
51	F 000 615 110	Needle-Roller Bearing	1

## Spare parts list

Item	Part Number	Description	Illustration
60	9 618 086 638	Screw	1
61	F 000 600 217	Tapping Screw	1
62	F 000 600 216	Tapping Screw	1
63	1 603 435 07U	Thread-forming tap. Screw	1
64	9 618 087 099	Screw 4X16 MM	1
68	1 601 006 011	Sealing Plate	1
71	2 603 490 021	Torx Oval-Head Screw 4X12	1
801	1 605 108 2U9	Motor Housing	1
802	1 600 A02 4X5	Bevel Gear Set	1
804	1 600 A02 9GP	Switch	1
805	1 604 460 126	Power supply cord EU 4,15M 2 X 1,5MM H07 RN-F	1
806	1 600 703 04H	Grommet	1
807	1 601 302 018	Fastening Clamp	1
810	F 000 611 090	Carbon-Brush Set E64	1
820	1 607 233 319	Electronics Module	1
662	2 605 703 014	Clamping Flange Ø22,3XØ42 MM	2
663	1 603 345 043	Round Nut M14	2
671	F 000 635 276	Auxiliary Handle	2
672	1 600 A00 XM0	Protective Cover	2
673	F 000 632 033	Pin-Type Face-Wrench	2